



McGUIRE MFG. CO., INC.

60 Grandview Court
 P.O. Box 746 ♣ Cheshire, CT 06410
 203-699-1801 ♣ Fax 203-699-1813

Product Specification

Part No.

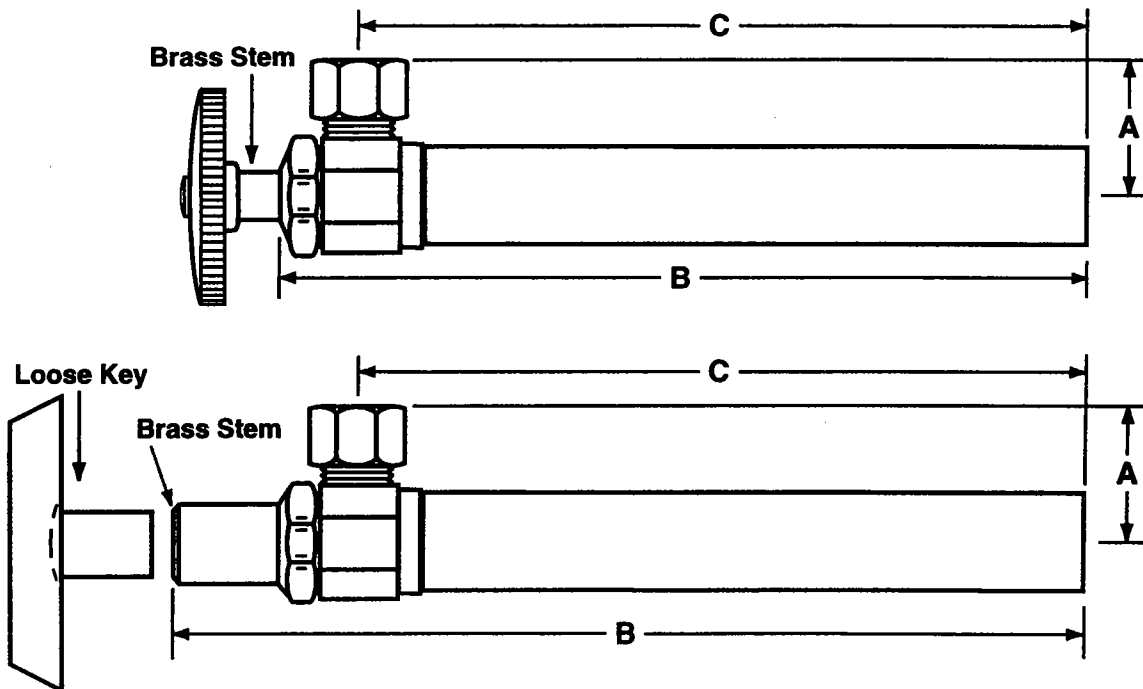
ST082, **ST082LK**,
 ST084, ST084LK

Angle Supply Stop
 Copper Sweat x O.D.

Job Name: _____

Submittal Number: _____

Sweat With 5" Extension To Compression



MODEL NO.	ROUGHING MEASUREMENTS	A	B	C
ST082	1/2" Copper Sweat x 3/8" O.D.	1"	6"	5-1/2"
ST082LK	1/2" Copper Sweat x 3/8" O.D.	1"	6-7/8"	5-1/2"
ST084	1/2" Copper Sweat x 1/2" O.D.	1-3/16"	6"	5-1/2"
ST084LK	1/2" Copper Sweat x 1/2" O.D.	1-3/16"	6-7/8"	5-1/2"



* WITH SE069D DEEP BELL ESCUTCHEON

LK designates *Loose Key*



See accessories section for details on product variations.

Specifications:

Chrome plated brass, Supply Stop Valve with full turn brass stem. Inlet shall be (3/8, 1/2) inch (IPS, sweat compression). Outlet shall be (3/8, 1/2) inch (IPS, compression). Supply stop valve shall be McGuire **ST082LK/SE069D**. Supply stop valve shall be certified by CSA or other recognized testing authority and bear manufacturer and testing mark. Stop to be certified to 200 psi line pressure.