

# SPEAKMAN®

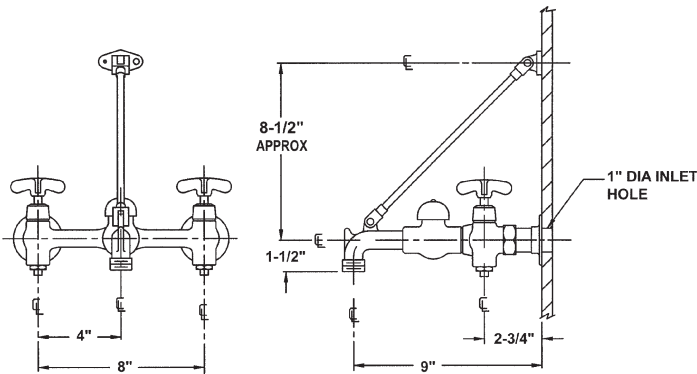
## COMMANDER®



**SC-5811**



**SC-5811-RCP**



NOTE: Inlets are 1/2" NPTM. All dimensions are in inches unless otherwise specified and are subject to change without notice.

## Cast Brass Service Sink Fittings

### □ SC-5811

Polished chrome plated cast brass Commander service sink fitting with Perfect® valves. 1/4 turn ceramic cartridges covered by 25 year Silver warranty. Integral stops. Vandal-resistant four arm handles with color-coded indexes. Cast brass nozzle with 3/4" hose thread, pail hook and top brace. Brass vacuum breaker. Brass top brace assembly with wall flange and mounting screws. Distance from finished wall to nozzle outlet is 9". 8" centers with +/- 1/8" adjustment. Adjustable threaded brass wall flanges. Vandal-resistant standard. 1/2" NPTF inlets. Meets CSA and ASSE-1001 standards.

### □ SC-5811-RCP

Rough chrome plated cast brass Commander service sink fitting with Perfect valves. 1/4 turn ceramic cartridges covered by 25 year Silver warranty. Integral stops. Vandal-resistant four arm handles with color-coded indexes. Cast brass nozzle with 3/4" hose thread, pail hook and top brace. Brass vacuum breaker. Brass top brace assembly with wall flange and mounting screws. Distance from finished wall to nozzle outlet is 9". 8" centers with +/- 1/8" adjustment. Adjustable threaded brass wall flanges. Vandal-resistant standard. 1/2" NPTF inlets. Meets CSA and ASSE-1001 standards.

### OPTIONS

SUFFIX	DESCRIPTION
□ CK	Check Valves in Swivel Assembly
□ LEV	Lever Handle
□ LVB	Less Vacuum Breaker with Plain End Spout
□ 4WH	4" Wrist Handles
□ 5H	5' Hose with Wall Hook
□ 6WH	6" Wrist Handles

**65** This space for Architect/Engineer approval.

### Speakman Company

P.O. Box 191, Wilmington, DE 19899-0191 USA  
 1-800-537-2107 Fax: 1-800-977-2747  
[www.speakmancompany.com](http://www.speakmancompany.com)

