

ULTRA-SENSE[®]

Sensor Activated Lavatory Faucet

- S-6080-G: With grid strainer drain assembly
- S-6080: Faucet only

Ultra-Sense battery-powered, sensor-activated lavatory faucet with infrared Position Sensitive Detection (PSD) system. Faucet features 4" center deck plate and temperature limit stop to adjust outlet temperature, 1.5 gpm (5.7 L/min) low profile, vandal-resistant aerator. 10 second factory-set cycle time with automatic shut-off feature, 6-volt lithium battery power pack, in-line check/strainers. Electronic components and battery are sealed and housed above deck in a cast brass body for maximum vandal resistance. Grid strainer drain assembly.

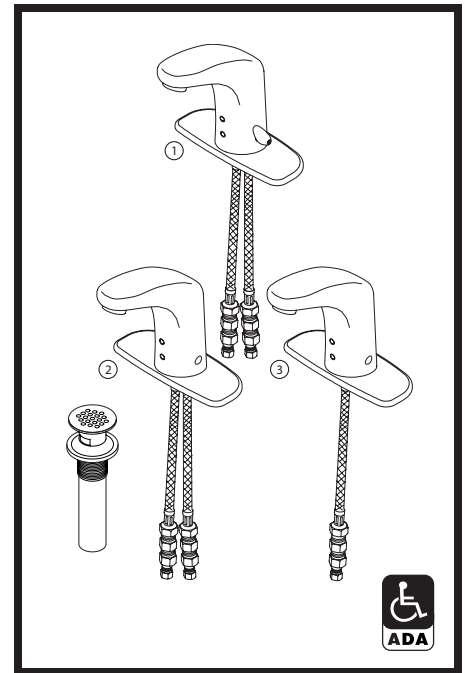
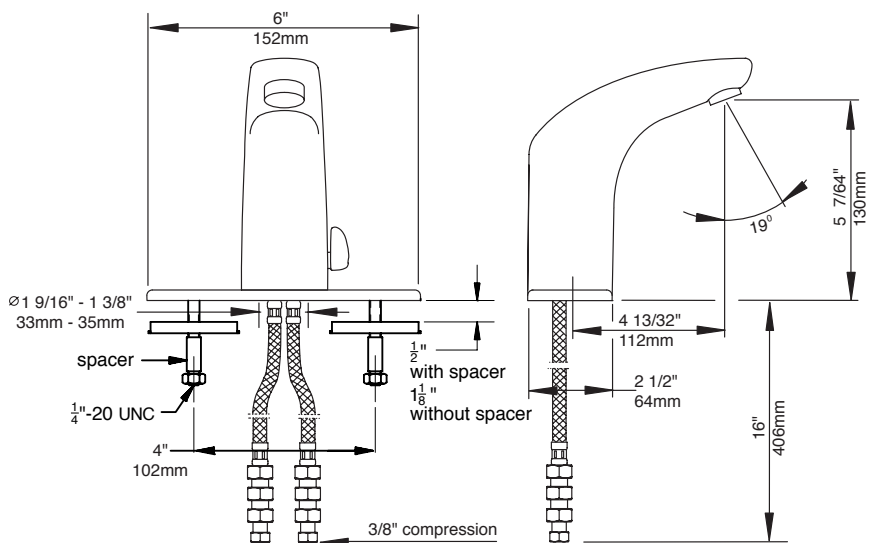
Faucet can be installed in one of three possible supply configurations:

- ① Hot and cold supply with lever handle temperature adjustment (factory standard)
- ② Hot and cold supply with pre-set tempered water (field adjusted)
- ③ Single supply for cold or premixed tempered water (field adjusted)

Modifications:

Add:

- Suffix DP: 8" adapter plate
- Suffix FR: 0.5 gpm flow restrictor
- Suffix NA: Non-aerated laminar flow spray outlet
- Suffix OFG: Offset grid strainer drain assembly in place of standard grid drain
- Suffix SM: Single hole mounting
- Suffix LST: 18" copper supply tubes in lieu of flexible hoses
- Suffix BRS: Radiance[®] polished brass finish



**SYMMONS PRODUCTS MEET
ANSI A112.18.1M, EPA '92
AND ALL KNOWN FLOW RATE
REQUIREMENTS.
Metering Faucets
0.25 gallons per cycle (1.0 L/cycle)**

Job/Location

.....

Engineer

.....

Contractor

.....

For ADA compliance (Americans with Disabilities Act) consult ADAAG or your state regulations for proper product choice and mounting locations.

SYMMONS INDUSTRIES, INC.
 31 Brooks Drive, Braintree, MA 02184-3804
 TEL: 1-800-SYMMONS, (781) 848-2250 FAX: 1-800-961-9621, (781) 843-3849
 Website: www.symmons.com

