

ULTRA-SENSE[®]

Sensor Activated Lavatory Faucet

- S-6080-AC-G: With grid strainer drain assembly
- S-6080-AC: Faucet only

Ultra-Sense sensor-activated lavatory faucet with infrared Position Sensitive Detection (PSD) system. Faucet features 4" center deck plate and temperature limit stop to adjust outlet temperature, 1.5 gpm (5.7 L/min) low profile, vandal-resistant aerator. 10 second factory-set cycle time with automatic shut-off feature, plug-in power supply (120 VAC/6VDC, Class II, UL Listed for US/C) with 72" (1829mm) output cord, in-line check/strainers. Electronic components are sealed and housed above deck in a cast brass body for maximum vandal resistance.

Note: Use only Symmons supplied plug-in power supply with this faucet. Use of non-Symmons power supply will void warranty.

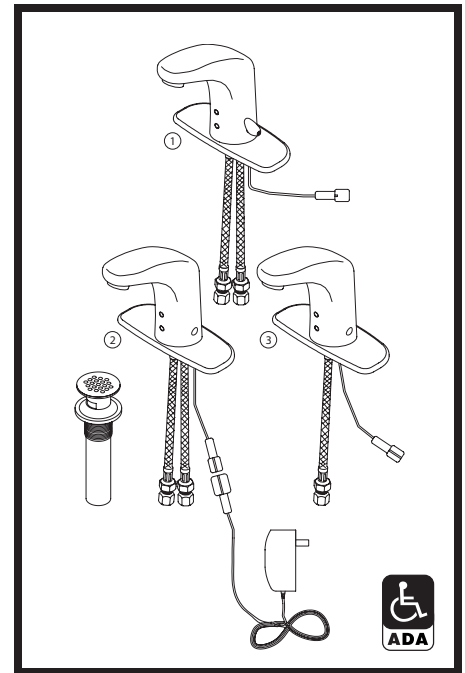
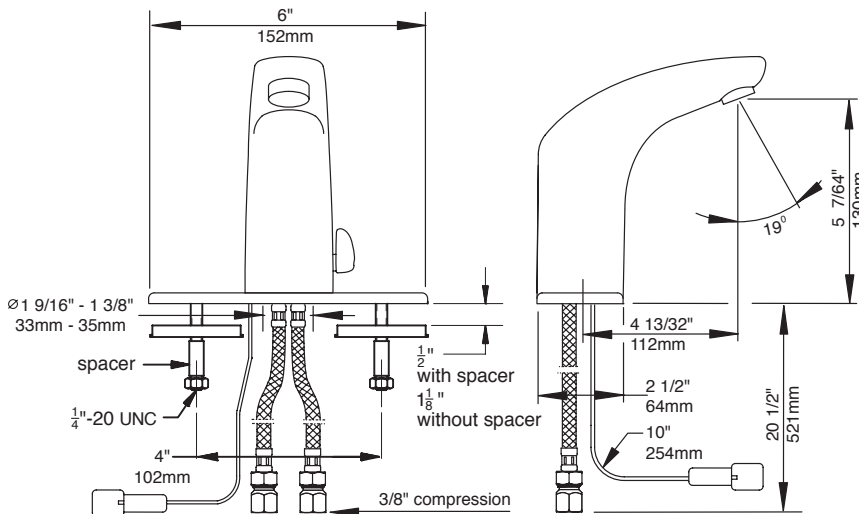
Faucet can be installed in one of three possible supply configurations:

- ① Hot and cold supply with lever handle temperature adjustment (factory standard)
- ② Hot and cold supply with pre-set tempered water (field adjusted)
- ③ Single supply for cold or premixed tempered water (field adjusted)

Modifications:

Add:

- Suffix DP: 8" adapter plate
- Suffix FR: 0.5 gpm flow restrictor
- Suffix NA: Non-aerated laminar flow spray outlet
- Suffix OFG: Offset grid strainer drain assembly in place of standard grid drain
- Suffix SM: Single hole mounting
- Suffix LST: 18" copper supply tubes in lieu of flexible hoses



**SYMMONS PRODUCTS MEET
ANSI A112.18.1M, EPA '92
AND ALL KNOWN FLOW RATE
REQUIREMENTS.
Metering Faucets
0.25 gallons per cycle (1.0 L/cycle)**

Job/Location

.....

Engineer

.....

Contractor

.....

For ADA compliance (Americans with Disabilities Act) consult ADAAG or your state regulations for proper product choice and mounting locations.

SYMMONS INDUSTRIES, INC.
 31 Brooks Drive, Braintree, MA 02184-3804
 TEL: 1-800-SYMMONS, (781) 848-2250 FAX: 1-800-961-9621, (781) 843-3849
 Website: www.symmons.com

