

**CADET RIGHT HEIGHT™ ELONGATED
PRESSURE-ASSISTED TOILET
1.6 gpf / 6.0 Lpf**

- 2467.016**
 - Vitreous china
 - Low-consumption (1.6 gpf/6.0 Lpf)
 - EverClean® surface inhibits the growth of stain- and odor-causing bacteria, mold, and mildew on the surface
 - Bowl rim at 16-1/2" for accessible applications
 - Elongated bowl
 - Pressure-assisted siphon jet flush action
 - Fully-glazed 2-1/8" trapway
 - 10 x 12" water surface area
 - Close-coupled Flushometer tank*
 - Metal chrome trip lever
 - Speed Connect® tank/bowl coupling system
 - Sanitary dam on bowl
 - Two bolt caps
 - 100% factory flush tested
 - 12" Rough-in

- 3483.016** Bowl with two bolt caps
- 4142.016** Tank complete with coupling components

Nominal Dimensions:

768 x 521 x 781mm
(30-1/4" x 20-1/2" x 30-3/4")

Fixture only, seat and supply by others

Recommended working pressure range
25 psi - 80 psi

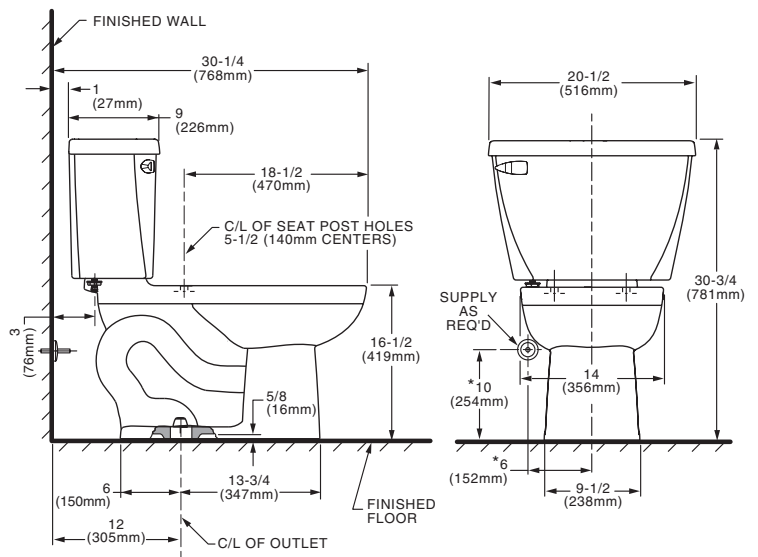
Alternate Configurations Available:

- 4142.600** Tank and tank cover only with tank cover locking device
- 4142.800** Tank and tank cover only with right hand trip lever
- 4142.900** Tank complete with right hand trip lever and tank cover locking device

Compliance Certifications -

Meets or Exceeds the Following Specifications:

- ASME A112.19.2-2008 / CSH B45.1-08 for Vitreous China Fixtures



NOTES:

THIS TOILET IS DESIGNED TO ROUGH-IN AT A MINIMUM DIMENSION OF 305mm (12") FROM FINISHED WALL TO C/L OF OUTLET. SUPPLY NOT INCLUDED WITH FIXTURE AND MUST BE ORDERED SEPARATELY.

* DIMENSION SHOWN FOR LOCATION OF SUPPLY IS SUGGESTED.

IMPORTANT: Dimensions of fixtures are nominal and may vary within the range of tolerances established by ASME A112.19.2-2008 / CSH B45.1-08. These measurements are subject to change or cancellation. No responsibility is assumed for use of superseded or voided pages.

To Be Specified:

- Color: White Bone Linen Silver Black
- Seat: American Standard #5324.019 "Rise and Shine" (with easy to clean lift-off hinge system) solid plastic closed front seat with cover.
- American Standard #5321.110 EverClean® seat with Slow Close snap-off hinges.
- Alternate Seat:
- Supply with Stop:



MEETS THE AMERICANS WITH DISABILITIES ACT GUIDELINES AND ANSI A117.1 REQUIREMENTS FOR ACCESSIBLE AND USABLE BUILDING FACILITIES - CHECK LOCAL CODES.