

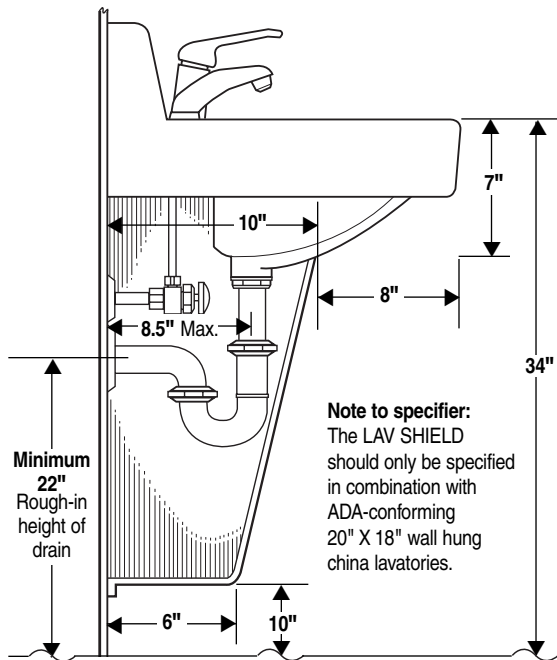


LAV SHIELD[®]
LAVATORY PROTECTIVE ENCLOSURES

ADA-compliant undersink protection

TRUEBRO[®]
MAKING AMERICA ACCESSIBLE
An **IPS CORPORATION** Brand

Submittal Sheet



General Description:

LAV SHIELD[®] rigid enclosure is dimensionally engineered to satisfy ADA requirements, design aesthetics and mechanical cooperation. LAV SHIELD conceals electronic faucet connections, mixing valves, trap primers and instantaneous hot water heaters,* while allowing wheelchair accessibility under lavatories and eliminating vandalism. Available in the standard model for field fit applications or may be ordered as a factory pre-cut which closely follows the underside contours of the lavatory specified.

*Lavatory "rough in" should be considered to allow mounting room for water heater behind enclosure. Contact TRUEBRO for specifications.

Material	Rigid high-impact, stain-resistant, rigid PVC
Nominal Wall	.093"
Finish	Fine haircell
UV Protection	Will not fade or discolor
Durability	Virtually indestructible
Fasteners	Seven (7) wall anchors provided
Color	China white
Compatibility	Fits all ADA-conforming 20" x 18" wall hung lavatories
Paintability	Apply acrylic enamel or Latex
UL Listing	In accordance with ADA Article 4.19.4
Flammability	UL-94 V-0, 5VA ASTM D-635-91 4 (ATB) 2.1 (AEB)
Bacterial/Fungal Resistance	ASTM G21 and G22/Result 0

LAV SHIELD Model #2018 — Standard (to be Field Fit)

Lav Shield factory pre-cut available:

- Model #2018-AS-C – Am.Std. Comrade
- Model #2018-AS-D – Am.Std. Declyn
- Model #2018-AS-L – Am.Std. Lucerne
- Model #2018-AS-M – Am.Std. Muro
- Model #2018-AS-OL – Am.Std. Old Lucerne
- Model #2018-AS-R – Am.Std. Roxalyn
- Model #2018-BD-I – Bradley Imperial
- Model #2018-BR-W – Briggs Whitman
- Model #2018-CR-H – Crane Harwich
- Model #2018-CR-N – Crane Norwich
- Model #2018-CR-W – Crane Westmont
- Model #2018-CR-Y – Crane Yorkshire
- Model #2018-EL-B – Eljer Blair
- Model #2018-EL-D – Eljer Delwyn
- Model #2018-EL-M – Eljer Mayburne
- Model #2018-EL-U – Eljer Bucknell
- Model #2018-GR-H – Gerber Hayes
- Model #2018-GR-P – Gerber Plymouth
- Model #2018-KO-C – Kohler Chesapeake
- Model #2018-KO-G – Kohler Greenwich
- Model #2018-KO-H – Kohler Hudson
- Model #2018-KO-K – Kohler Kingston
- Model #2018-KO-S – Kohler Soho
- Model #2018-MA-H – Mansfield 2018 HB
- Model #2018-MA-NS – Mansfield 2018 HB-NS
- Model #2018-TO-L – Toto LT307

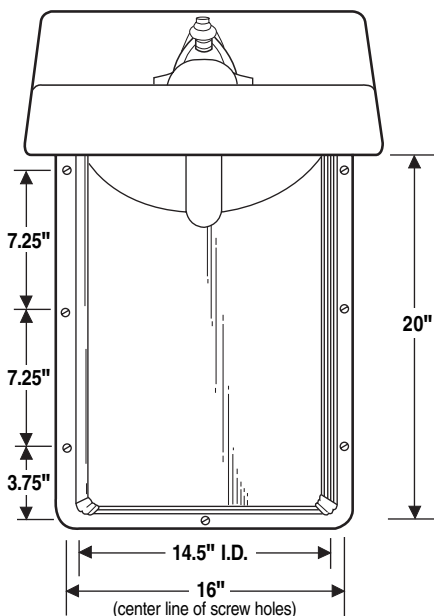
Tamper-resistant Screws (Torx Head Screws)

Special Pre-cut Request: _____

Job/Location _____

Designer _____

TRUEBRO reserves the right to make product and material changes at any time without notice.
2/05



U.S. and Canadian patents: D373,412, D372,077, D384,732, D393,700, D390,643, 79,064, 79,063

TRUEBRO[®]
MAKING AMERICA ACCESSIBLE
An **IPS CORPORATION** Brand

IPS Corporation, 202 Industrial Park Lane, Collierville, TN 38017
(901) 853-5001 (800) 340-5969 FAX: (901) 853-5008
e-mail: info@truebro.com Internet: http://www.truebro.com



Lav Shield Classified by Underwriters Laboratories Inc.[®] in accordance with ADA article 4.19.4 22FF

