

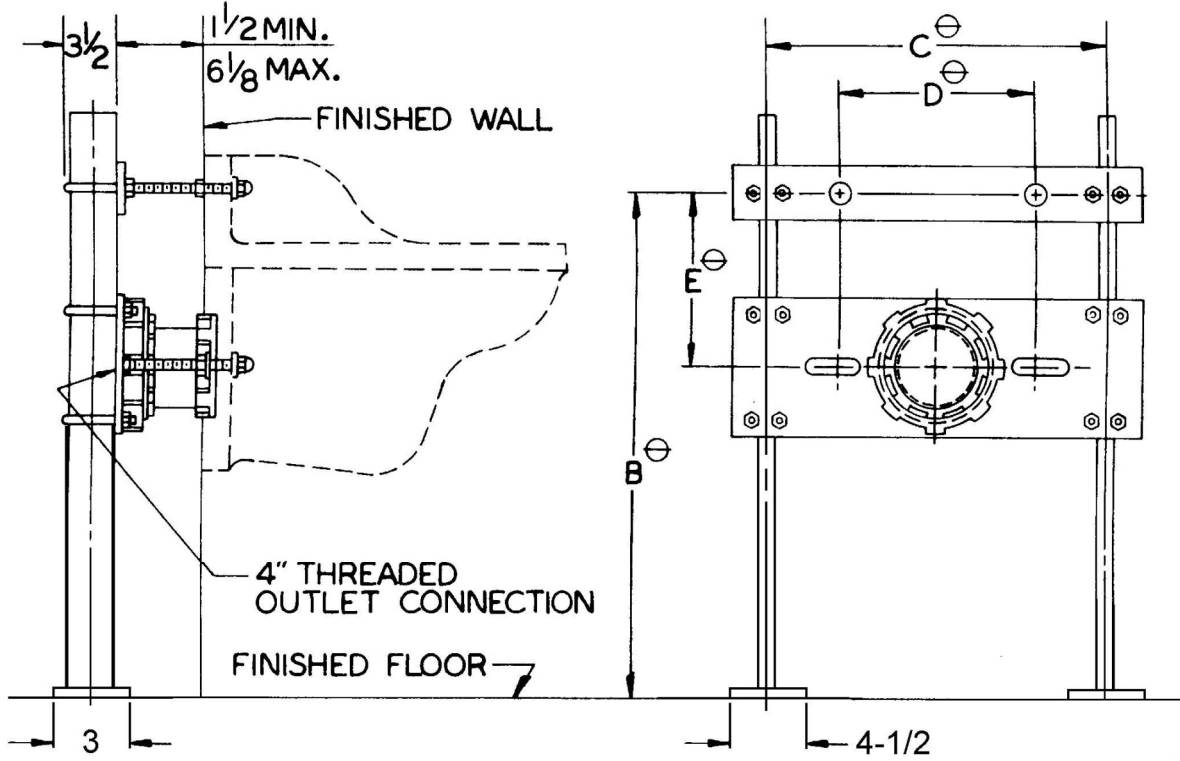
SPECIFICATION:

JOSAM 17730 SERIES FLOOR-MOUNTED, SINGLE, HEAVY-DUTY SINK CARRIER WITH SUPPORT PLATES, ADJUSTABLE COUPLING WITH 4" PIPING CONNECTION, MOUNTING STUDS, STRUCTURAL UPRIGHTS, WELDED FEET AND CHROME PLATED TRIM.

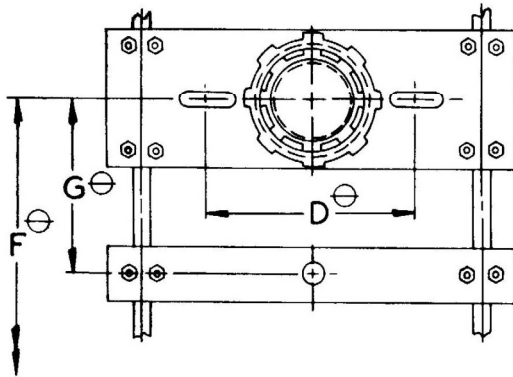
**SINK CARRIER
FLOOR-MOUNT HEAVY-DUTY**

SERIES

17730

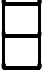




ASSEMBLY FOR BLOWOUT FIXTURES WITH THREE BOLT MOUNT.



⊖ VARIABLE - DEPENDS ON FIXTURE

RECOMMEND ALL FEET BE SECURED TO FLOOR WITH 1/2" BOLTS AND ANCHORS BY OTHERS.

-  -VP VANDAL-PROOF TRIM
-  -11 CAST IRON ADJUSTABLE EXTENSION
SPECIFY 6", 9" OR 12" ON ORDER
-  -60 VALVE PLATE FOR ATTACHING TO UPRIGHT

MANUFACTURER _____

NUMBER _____

SIZE _____

NAME _____

B _____

C _____

D _____

E _____

Δ _____

RIM HEIGHT 'Δ' BASED ON 'B' DIM SHOWN

DRAWING No.

A-08240-K

JOSAM COMPANY
MICHIGAN CITY, INDIANA

NOTES: