

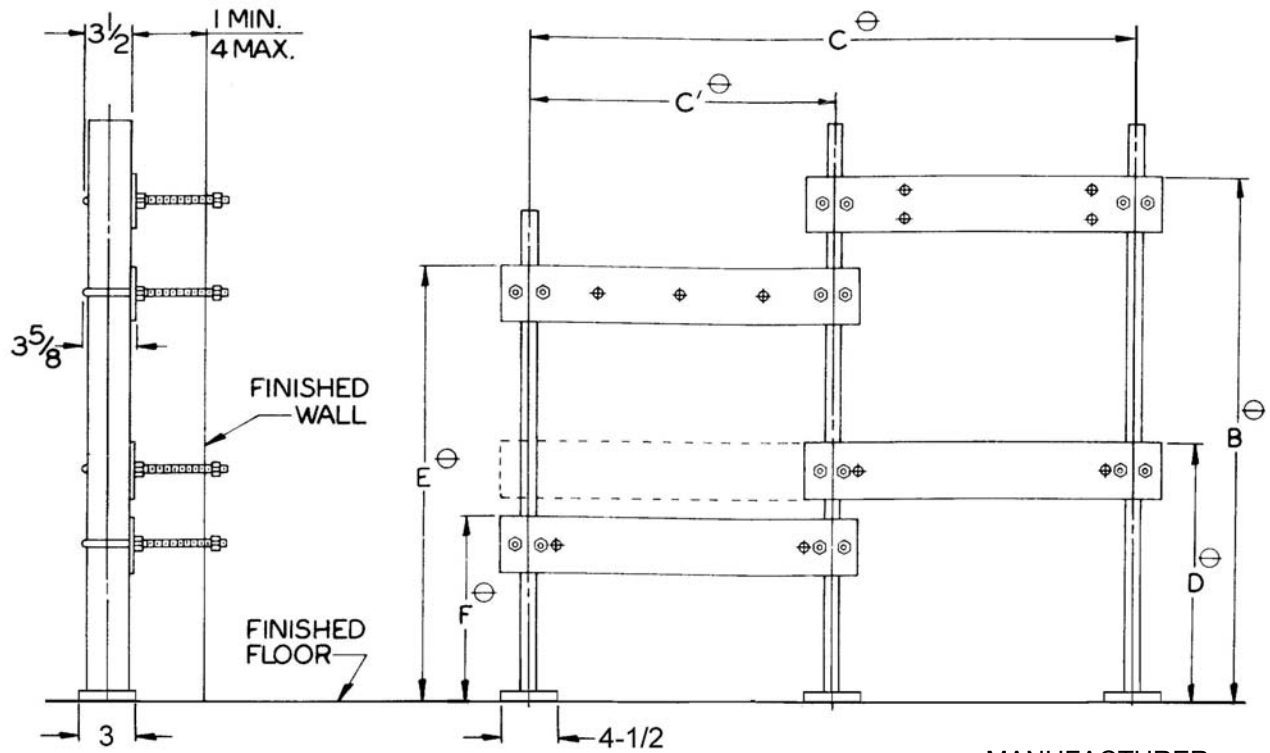
SPECIFICATION:

JOSAM 17560-WCBL SERIES FLOOR-MOUNTED BI-LEVEL WATER COOLER CARRIER WITH HANGER & BEARING PLATES, ADJUSTABLE SUPPORTING RODS, STRUCTURAL UPRIGHTS, WELDED FEET, AND CHROME-PLATED TRIM.

**WATER COOLER CARRIER
FLOOR-MOUNT BEARING PLATE**

SERIES 17560-WCBL

FORMERLY 17905 SERIES



MANUFACTURER _____

NUMBER _____

SIZE _____

NAME _____

- B _____
- C _____
- C' _____
- D _____
- E _____
- F _____
- Δ _____

RIM HEIGHT 'Δ' BASED ON 'B' AND 'E' SHOWN

RECOMMEND ALL FEET BE SECURED TO FLOOR WITH 1/2" BOLTS AND ANCHORS BY OTHERS.

⊖ VARIABLE – DEPENDS ON FIXTURE

UTILIZE A SINGLE ALIGNMENT TOOL TO ALIGN A PAIR OF UPRIGHTS. IF YOU WISH TO BRACE ALL THREE UPRIGHTS SIMULTANEOUSLY, TWO TOOLS ARE NECESSARY.



-WCBL BI-LEVEL WATER COOLER CARRIER
-10 STUDS FOR WALLS OVER 4"
(SPECIFY WALL THICKNESS)

DRAWING No. 05/10/08

A-12674-K

JOSAM COMPANY
MICHIGAN CITY, INDIANA

NOTES: