

SPECIFICATION:

JOSAM 17560-WC SERIES FLOOR-MOUNTED SINGLE WATER COOLER CARRIER WITH HANGER & BEARING PLATE, ADJUSTABLE SUPPORTING RODS, STRUCTURAL UPRIGHTS, WELDED FEET AND CHROME PLATED TRIM.

**WATER COOLER CARRIER
FLOOR-MOUNT BEARING PLATE**

SERIES

17560-WC

REUSABLE ALIGNMENT TOOL AVAILABLE

FORMERLY 17900 SERIES

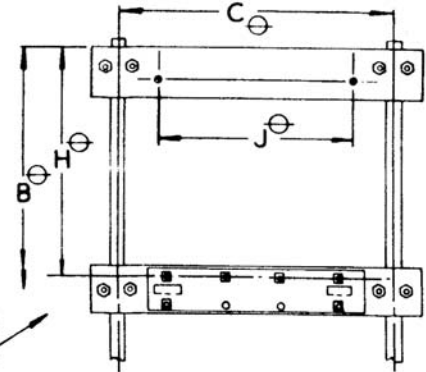
MANUFACTURER _____

NUMBER _____

SIZE _____

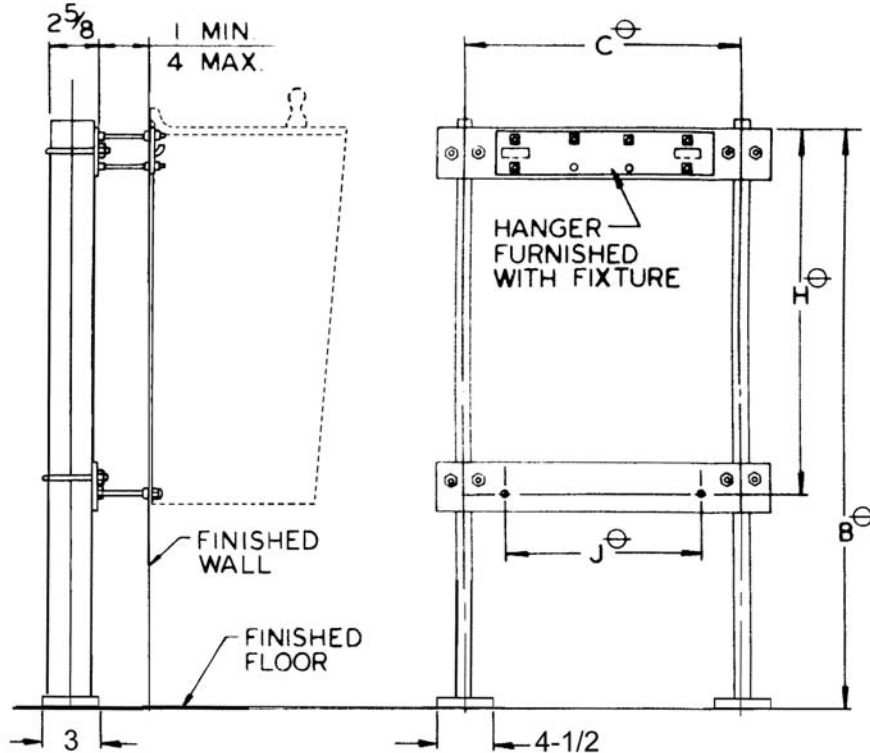
NAME _____

Θ VARIABLE – DEPENDS ON FIXTURE EXCEPT WHEN STANDARD PLATE IS FURNISHED C = 18-1/4"



- B _____
- C _____
- H _____
- J _____
- Δ _____

RIM HEIGHT 'Δ' BASED ON 'B' DIM SHOWN



RECOMMEND ALL FEET BE SECURED TO FLOOR WITH 1/2" BOLTS AND ANCHORS BY OTHERS.



- WC WATER COOLER CARRIER
- 10 STUDS FOR WALLS OVER 4" (SPECIFY WALL THICKNESS)

DRAWING No. 05/10/08

A-12887-K

JOSAM COMPANY
MICHIGAN CITY, INDIANA

NOTES: