

SPECIFICATION:

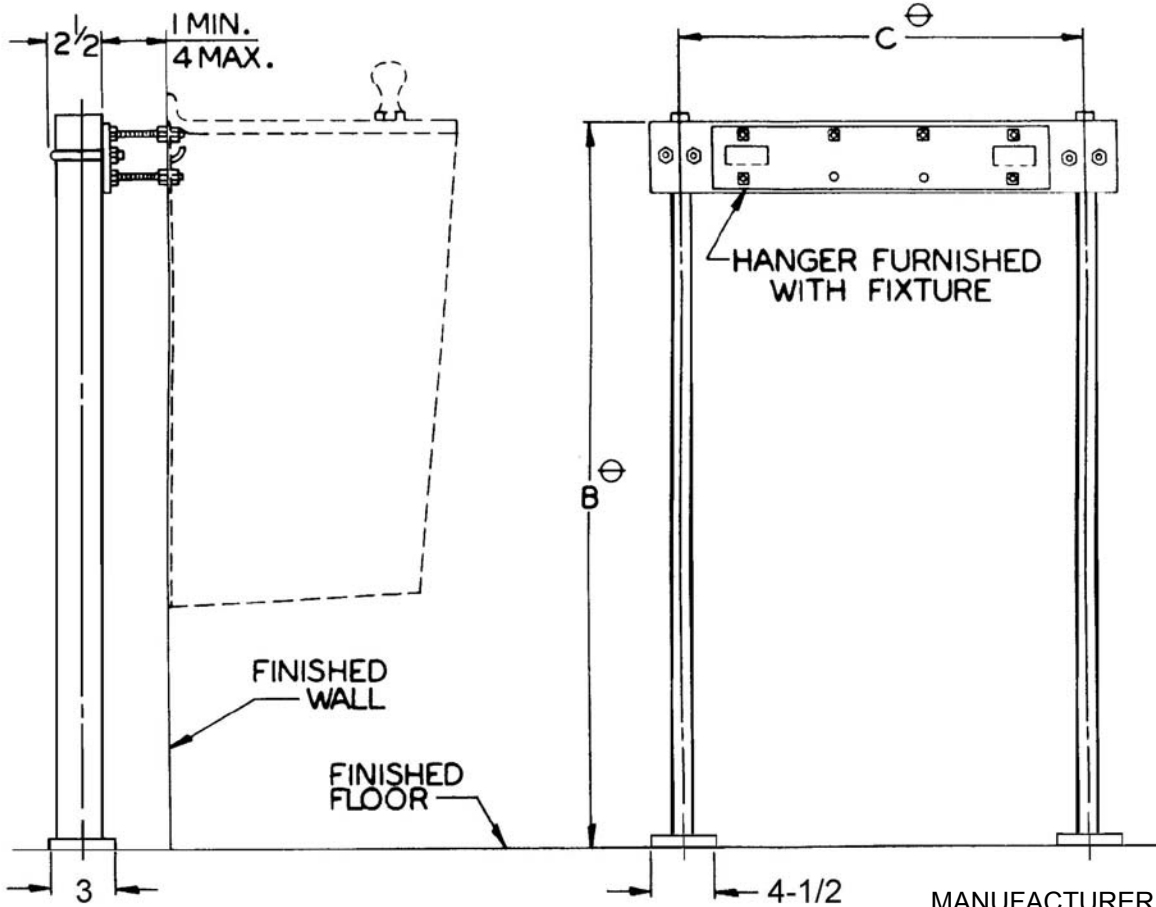
JOSAM 17550-WC SERIES FLOOR-MOUNTED, SINGLE WATER COOLER CARRIER WITH HANGER PLATE, ADJUSTABLE SUPPORTING RODS, STRUCTURAL UPRIGHTS AND WELDED FEET.

**WATER COOLER CARRIER
FLOOR-MOUNT HANGER PLATE**

SERIES 17550-WC

REUSABLE ALIGNMENT TOOL AVAILABLE

FORMERLY 17895 SERIES



MANUFACTURER

NUMBER

SIZE

NAME

B _____

C _____

Δ _____

RIM HEIGHT 'Δ' BASED ON 'B' DIM SHOWN

RECOMMEND ALL FEET BE SECURED TO FLOOR WITH 1/2" BOLTS AND ANCHORS BY OTHERS.

Ø VARIABLE – DEPENDS ON FIXTURE EXCEPT WHEN STANDARD PLATE IS FURNISHED C = 18-1/4"



-WC WATER COOLER CARRIER
-10 STUDS FOR WALLS OVER 4" (SPECIFY WALL THICKNESS)

DRAWING No. 05/10/08

A-13633-K

JOSAM COMPANY
MICHIGAN CITY, INDIANA

NOTES: