



McGUIRE MFG. CO., INC.

60 Grandview Court  
P.O. Box 746 ♣ Cheshire, CT 06410  
203-699-1801 ♣ Fax 203-699-1813  
www.mcguiremfg.com

## Product Specification

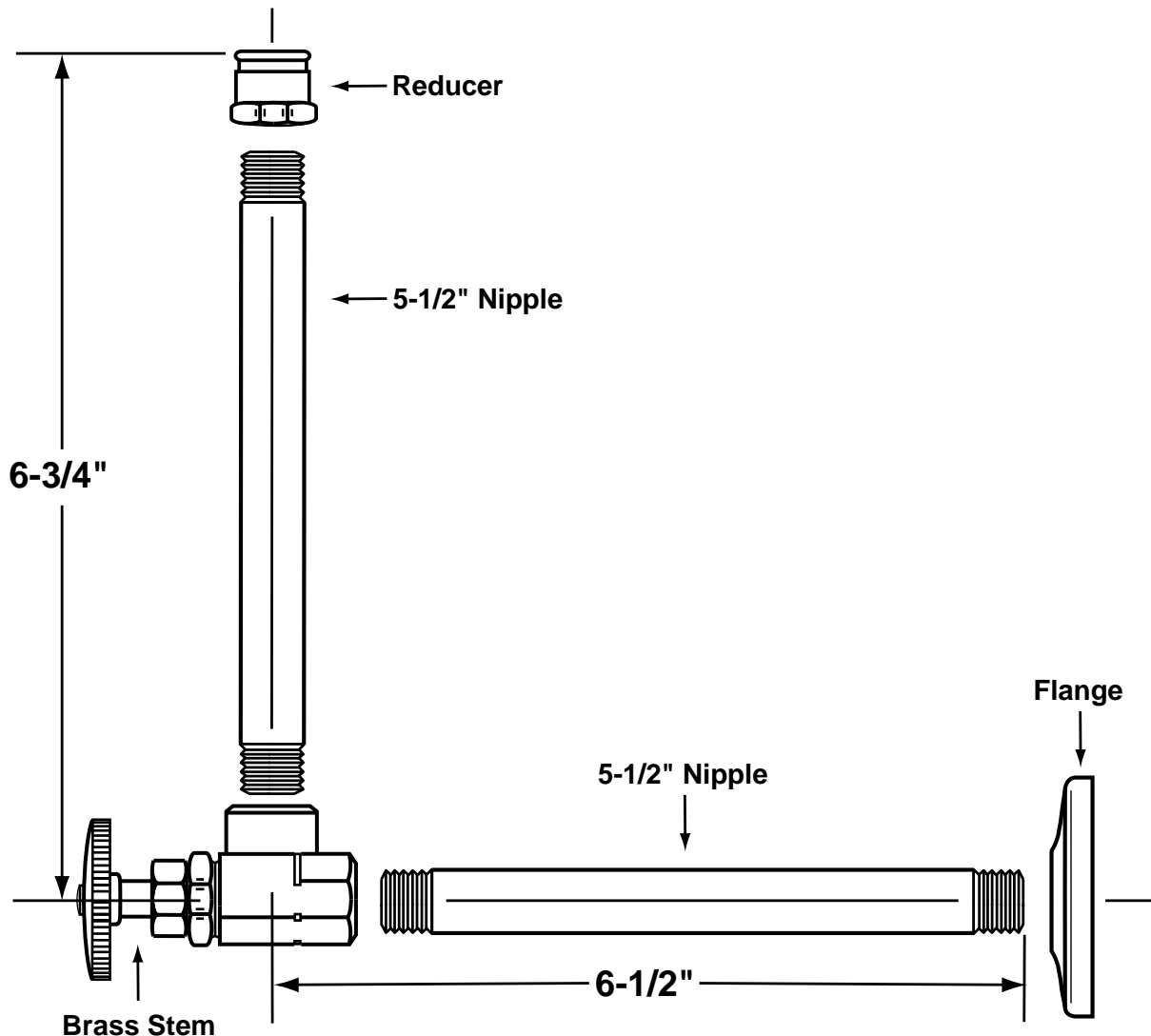
Part No.

158, 158LK

Rigid  
Lavatory Supply

Job Name:

Submittal Number:



LK designates *Loose Key*



See options and accessories section for details on product variations.

### Specifications:

Rigid Supply Kit shall include chrome plated brass stops with threaded connections, stuffing box, full turn brass stem, no plastic, cast brass nipples, cast brass reducer and (steel, brass) or (forged brass with set screw) flange. Inlet shall be (3/8) inch IPS. Outlet shall be (3/8) inch IPS. Supply kit shall be McGuire \_\_\_\_\_. Supply kit shall be certified by CSA or other recognized testing authority and bear manufacturer and testing mark. Stop to be certified to 200 psi line pressure.