

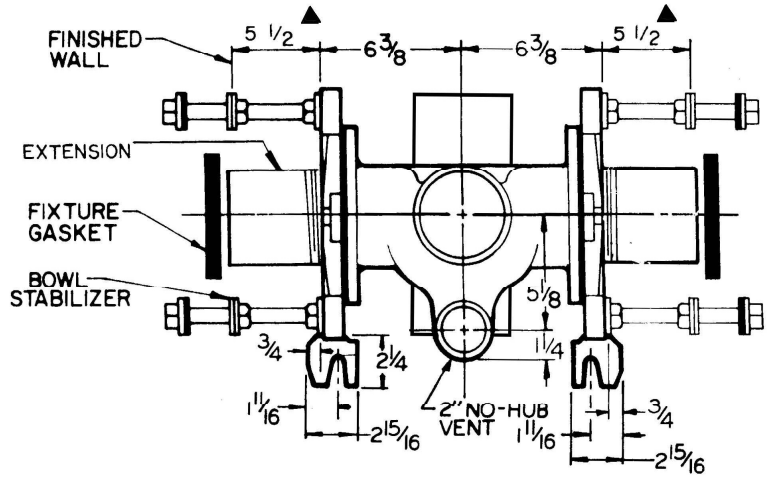
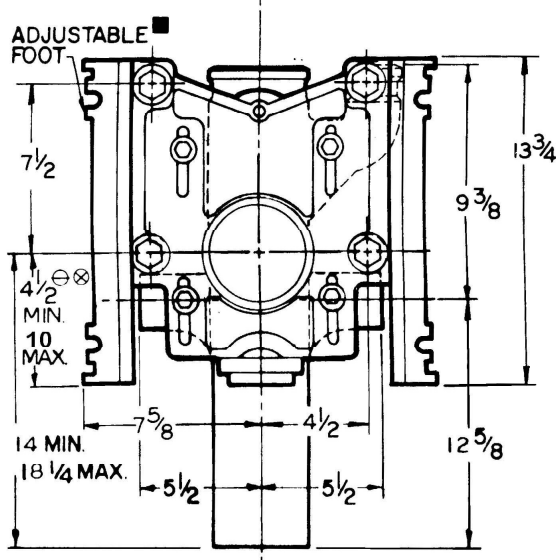
**SPECIFICATION:**

JOSAM 12724 SERIES COATED CAST IRON DOUBLE VERTICAL 4" NO-HUB ON STACK FITTING WITH 2" NO-HUB OFFSET VENT. ADJUSTABLE CARRIER BODY, INVERTIBLE FOR SIPHON JET OR BLOWOUT CLOSETS, WITH ABS EXTENSION WITH INTEGRAL TEST CAP, PYLON FEET, ANCHOR FOOT, PLATED HARDWARE AND NEOPRENE FIXTURE GASKET.

**CLOSET CARRIER  
VERTICAL BACK-TO-BACK**

**SERIES**

**12724**



▲ FOR DIMENSION SHORTER THAN 5-1/2" (1" MIN) CUT EXTENSION. FOR LONGER EXTENSION (10-1/2" MAX) SPECIFY (-10)

■ RECOMMEND FEET BE SECURED TO FLOOR WITH 1/2" BOLT'S AND ANCHORS (BY OTHERS).

⊗ FOR SIPHON JET ROUGHING OVER 6" OR BLOWOUT ROUGHING OVER 12-1/2" SPECIFY ON ORDER.

SIPHON JET DIM'S SHOWN FOR BLOWOUT DIMS, USE:

⊖ MIN 11 & MAX 16-1/2"

▼	-PF	PYLON FOOT, STD.
▼	-OR	O-RING CARRIER
▼	-SD	SPECIAL-DUTY 500LB. CARRIER
▼	-HS	HUB & SPIGOT
▼	-LH4	LEFT-HAND 4" NO-HUB BRANCH
▼	-HLH4	LEFT-HAND 4" HUB BRANCH
▼	-RH4	RIGHT-HAND 4" NO-HUB BRANCH
▼	-HRH4	RIGHT-HAND 4" HUB BRANCH
▼	-D4	DOUBLE 4" NO-HUB BRANCHS
▼	-HD4	DOUBLE 4" HUB BRANCHS
▼	-VP	VANDAL-PROOF TRIM

□	-1	POSITIONING FRAME
□	-6	SUPPLY PIPE SUPPORT (SPECIFY TYPE OF PIPE)
□	-10	ABS EXTENSION THROUGH 10-1/2" WALL
□	-24	FLOOR MOUNTED BACK OUTLET CHINA BOWL
□	-30	CAST IRON ADJ. EXTENSION W/ CONNECTOR
□	-30-2	CAST IRON ADJ. EXTENSION W/ CONNECTOR & TEST CAP
□	-32	CARRIER FOR WIDE CHASE INSTALLATIONS
□	-35	CARRIER FOR WHEELCHAIR HIGH ROUGH
□	-49	NO-HUB AUXILIARY INLET, UNDER VENT
□	-50	NO-HUB AUXILIARY INLET, OPPOSITE VENT
□	-53	THREADED AUXILIARY INLET, UNDER VENT
□	-54	THREADED AUXILIARY INLET, OPPOSITE VENT

▼ SEPARATE SUBMITAL FOR THIS OPTION AVAILABLE

DRAWING No.

**A-13431-K**

**JOSAM COMPANY**  
MICHIGAN CITY, INDIANA

NOTES: